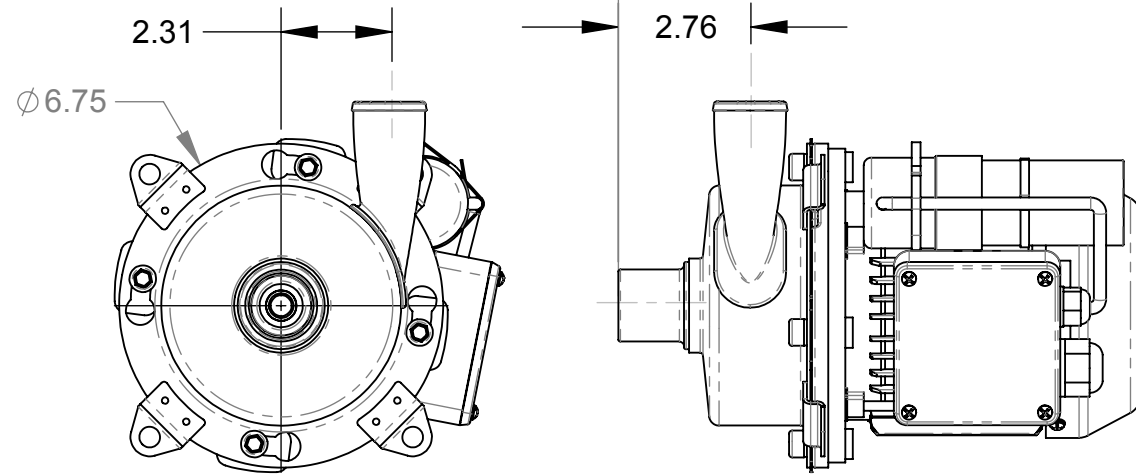


THE INFORMATION CONTAINED IN THIS DRAWING IS THE SOLE PROPERTY OF AMERICAN STAINLESS PUMPS. ANY REPRODUCTION IN PART OR WHOLE WITHOUT THE WRITTEN PERMISSION OF AMERICAN STAINLESS PUMPS IS PROHIBITED.



AMERICAN STAINLESS PUMPS

ASP

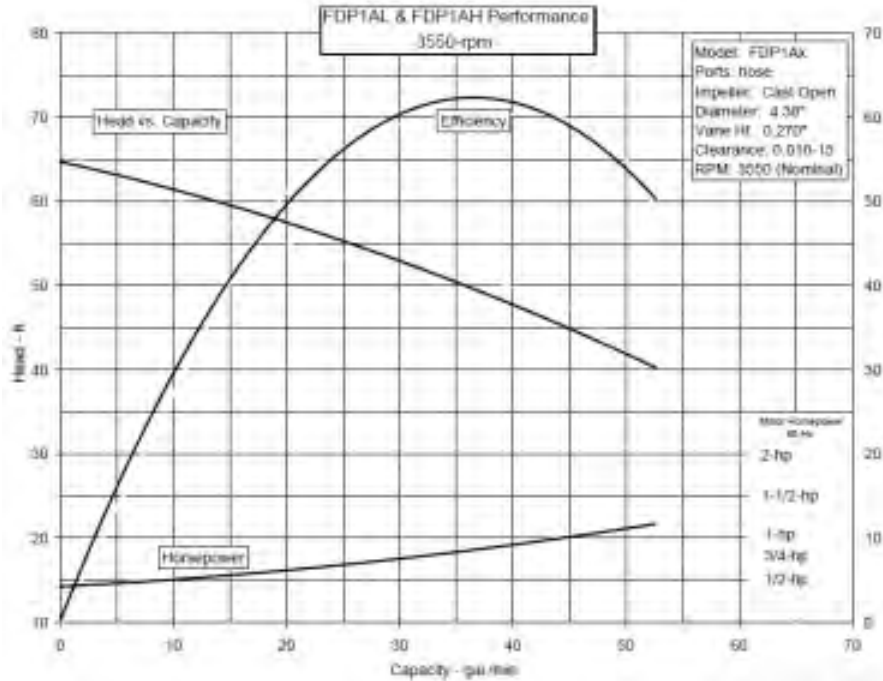
Cat: **FDP1AL**
 PEI, NA Imp Dia: **4.38**
 Model: **FDP** SN: **20H217043**
 HP/RPM: **1/3500** Size: **hose**

Rotation ← www.aspumps.com

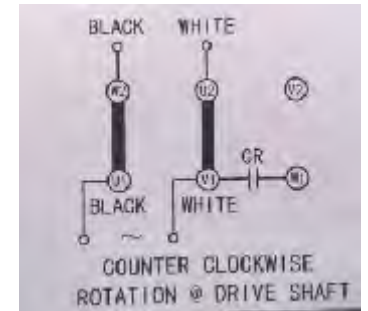
IEC 60034-1 **SINGLE PHASE MOTOR**

MODEL	GA2763		DATE
AUTO THERMALLY PROTECTED	MEJ36RX	PHASE 1	MTG. 71/56J
IC CODE	IC411	INS. CL. F	DUTY CONT
			MAX. AMB. 40 °C.
			WGT. 15.9 lbs. 7.2 kg.

115V		60 Hz		230V		60 Hz	
H. P.	1.0	KW	0.75	H. P.	1.0	KW	0.75
R. P. M.	3420	FLA	9.6	R. P. M.	3420	FLA	4.8
S. F.	1.15	SFA	10.8	S. F.	1.15	SFA	5.4
EFF%	74.1	P. F.	0.99	EFF%	74.1	P. F.	0.99



MOTOR WIRING DIAGRAM



MATERIAL:

MANUFACTURING PROCESS:

RELEASED FOR CONSTRUCTION?

CAD GENERATED DRAWING NOT FOR CONSTRUCTION UNLESS INDICATED. DO NOT SCALE DRAWING.

ASP AMERICAN STAINLESS PUMPS
LOS ANGELES, CALIFORNIA

PART NO.

SHEET NAME:

Dimension Performance Nameplate Data

DRAWN BY: MWC

FILE NAME:

FDP1Ax Spec Sheet

CHECKED BY: MFB

RELEASED BY: BOTH

SHEET: A

SCALE: 1:8

PATH:

REV.

0

DATE

7/29/20

SHEET 1 OF 1

WHEN NOT NOTED OTHERWISE

ALL DIMENSIONS IN INCHES.
 REMOVE ALL BURRS.
 RADIAL & DIAMETRICAL DIMENSIONS ARE TO BE HELD TO A ±.002
 SYMMETRICAL TOLERANCE, AND ARE CONCENTRIC WITH PART CENTERLINES.

CHAMFER MACHINED EDGES 0.03.
 FILLET CORNERS 0.06
 MACHINED FACES SURFACE FINISH 63.
 QUESTIONS? CALL 310-630-8089.
 EMAIL: MCOOL@ASPUMPS.COM

TOLERANCES UNLESS OTHERWISE INDICATED

FRACTIONS	DECIMAL	ANGULAR
1/X ± 1/32	.X ± 0.015	X ± .5°
1/XX ± 1/64	.XX ± 0.01	.X ± .1°
	.XXX ± 0.005	.XX ± .02°
	.XXXX ± 0.001	

REV.	REVISION DESCRIPTION	DATE
0	ORIGINAL DOCUMENT	